

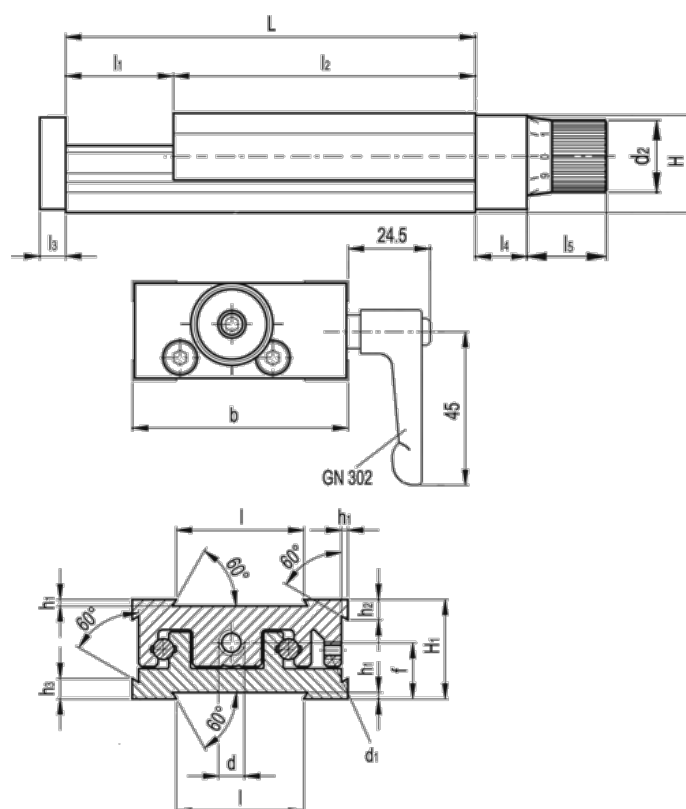
# Data Sheet



Article number: 20771022

Description: Adjustable slide unit  
GN 900-80-195-75-D-2

## Measures



b = 80	h2 = 10.0
d = M8x1	h3 = 10.0
d1 = M5	l = 50
d2 = 22	L - l1 = 195-75
f = 20.5	l2 = 120
H = 35.5	l3 = 8
h1 = 2.0	l4 = 16
H1 = 36	l5 = 24